

\* FRAME AVAILABLE 5" OR 7-1/2" DEEP.

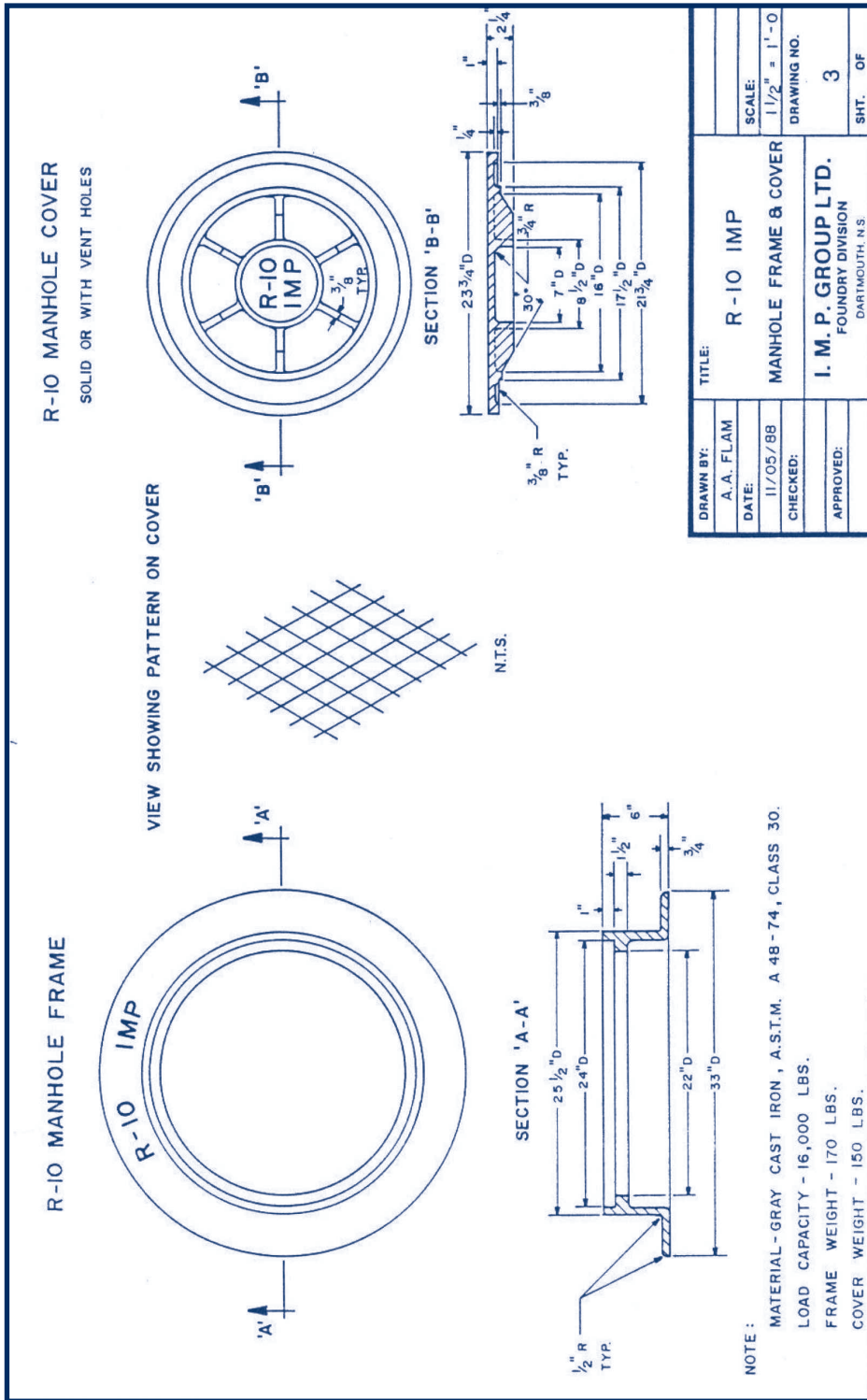
MATERIAL - GRAY CAST IRON, A.S.T.M. A 48 - 74, CLASS 30.

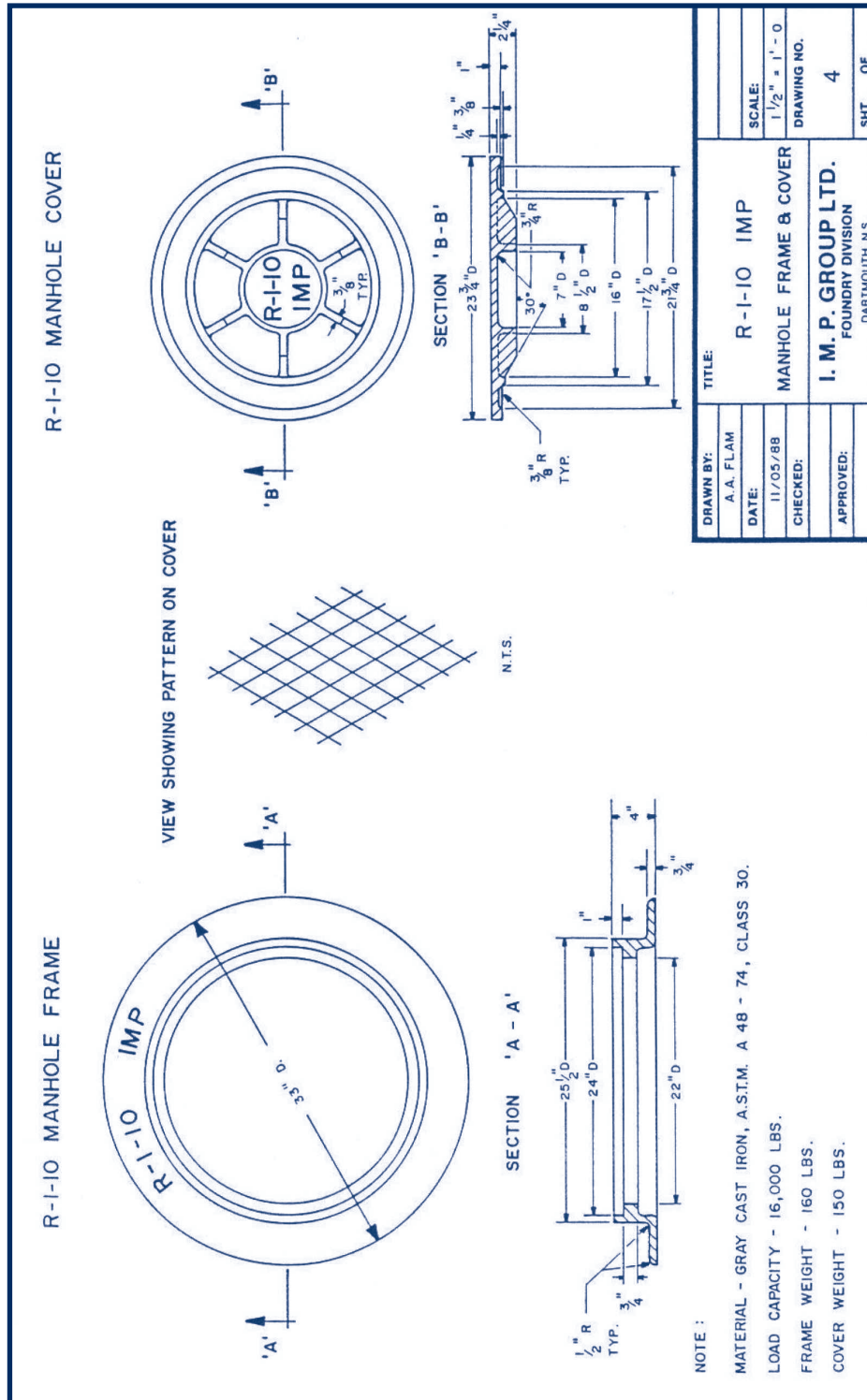
5" FRAME WEIGHT - 155 LBS.

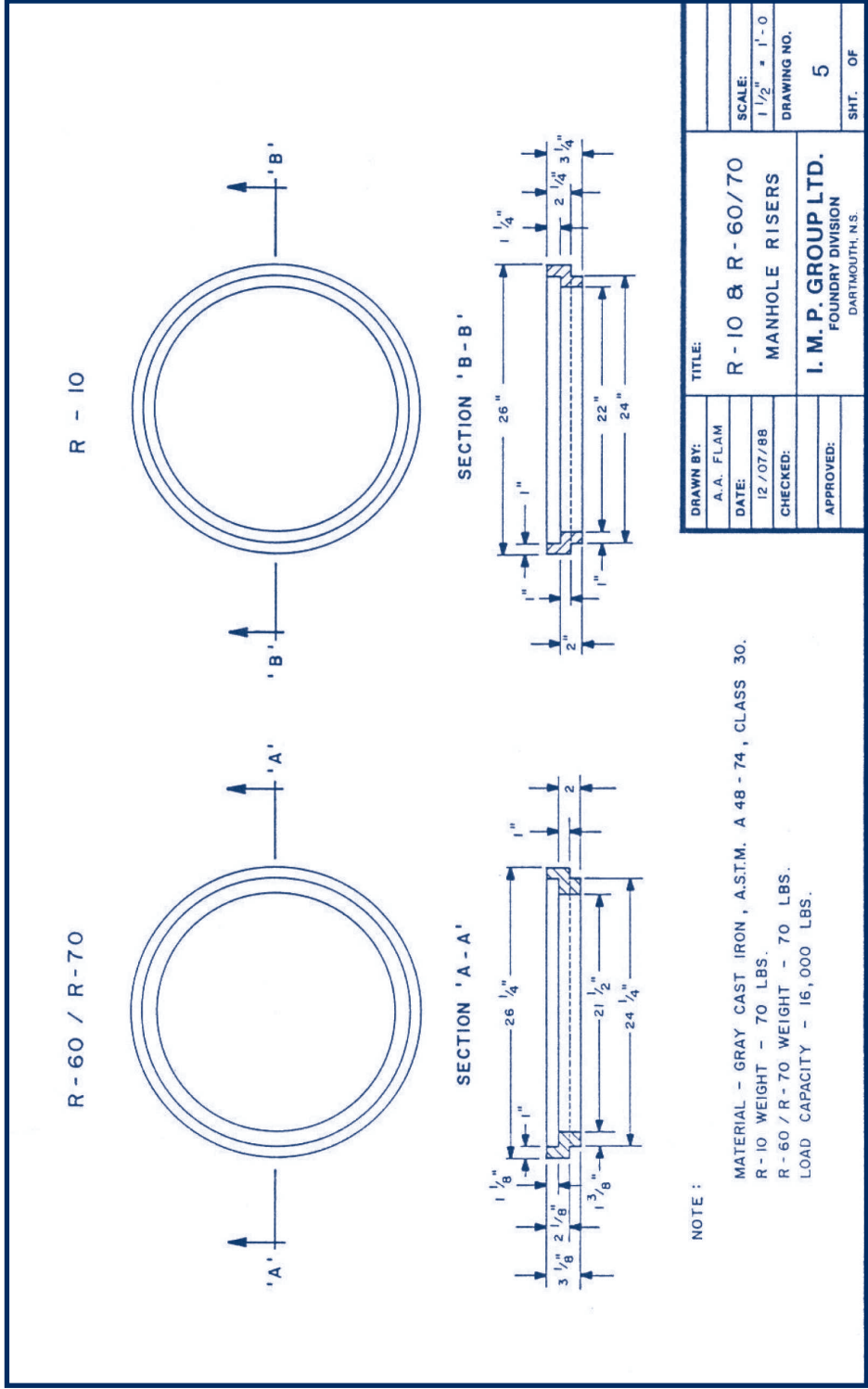
7" FRAME WEIGHT - 220 LBS.

WEIGHT OF 1/2 COVER - 100 LBS.

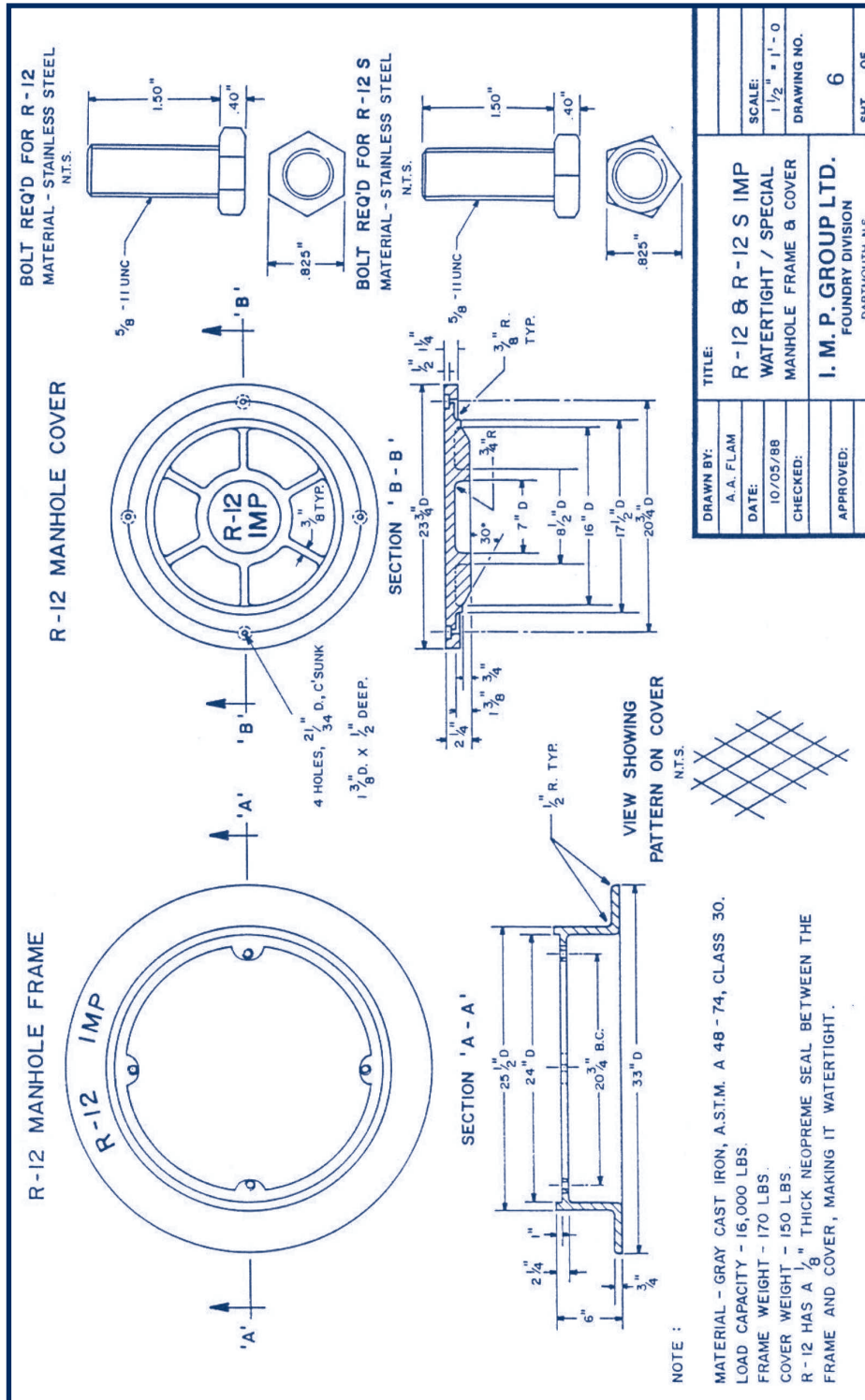
LOAD CAPACITY - 16,000 LBS.

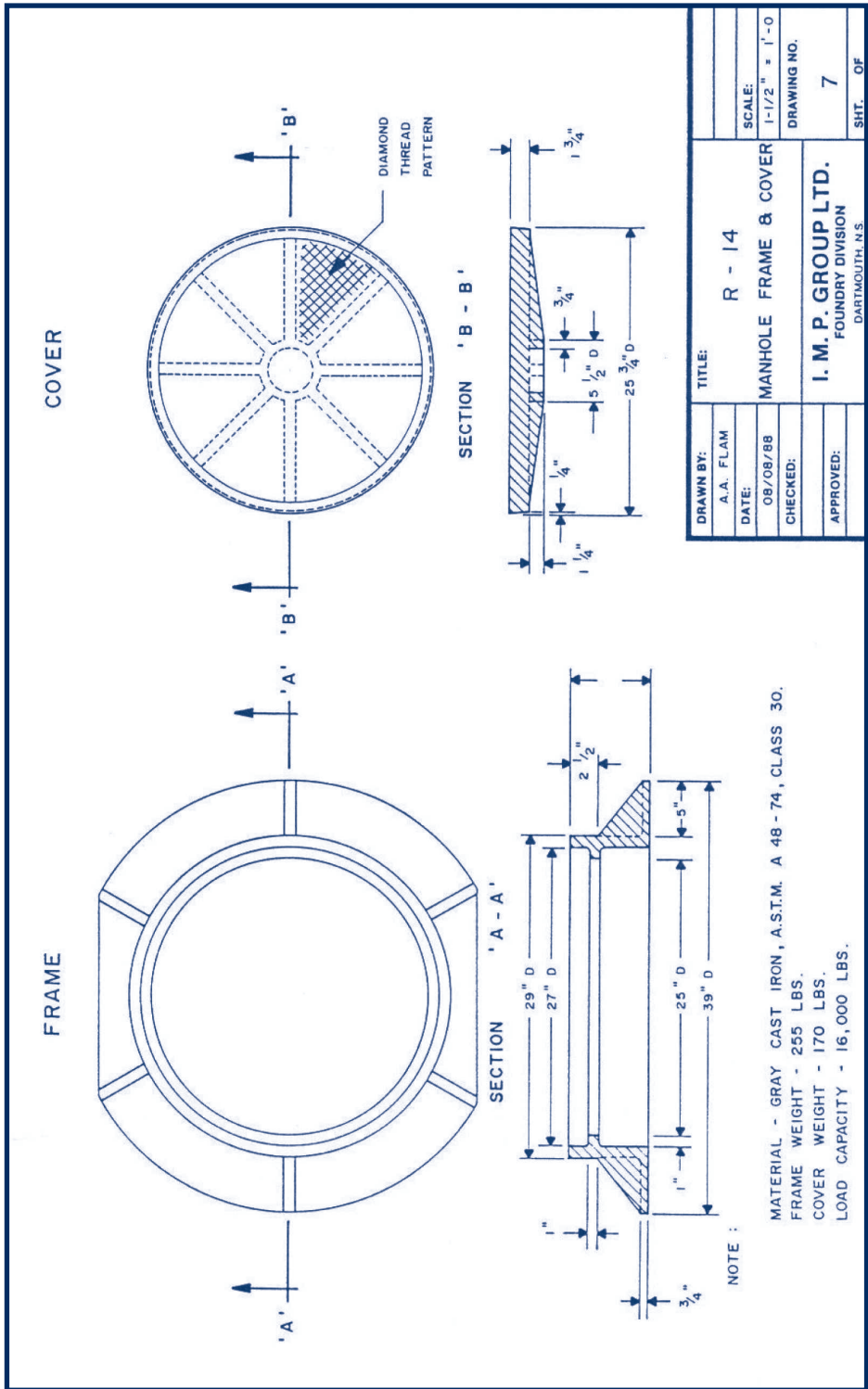


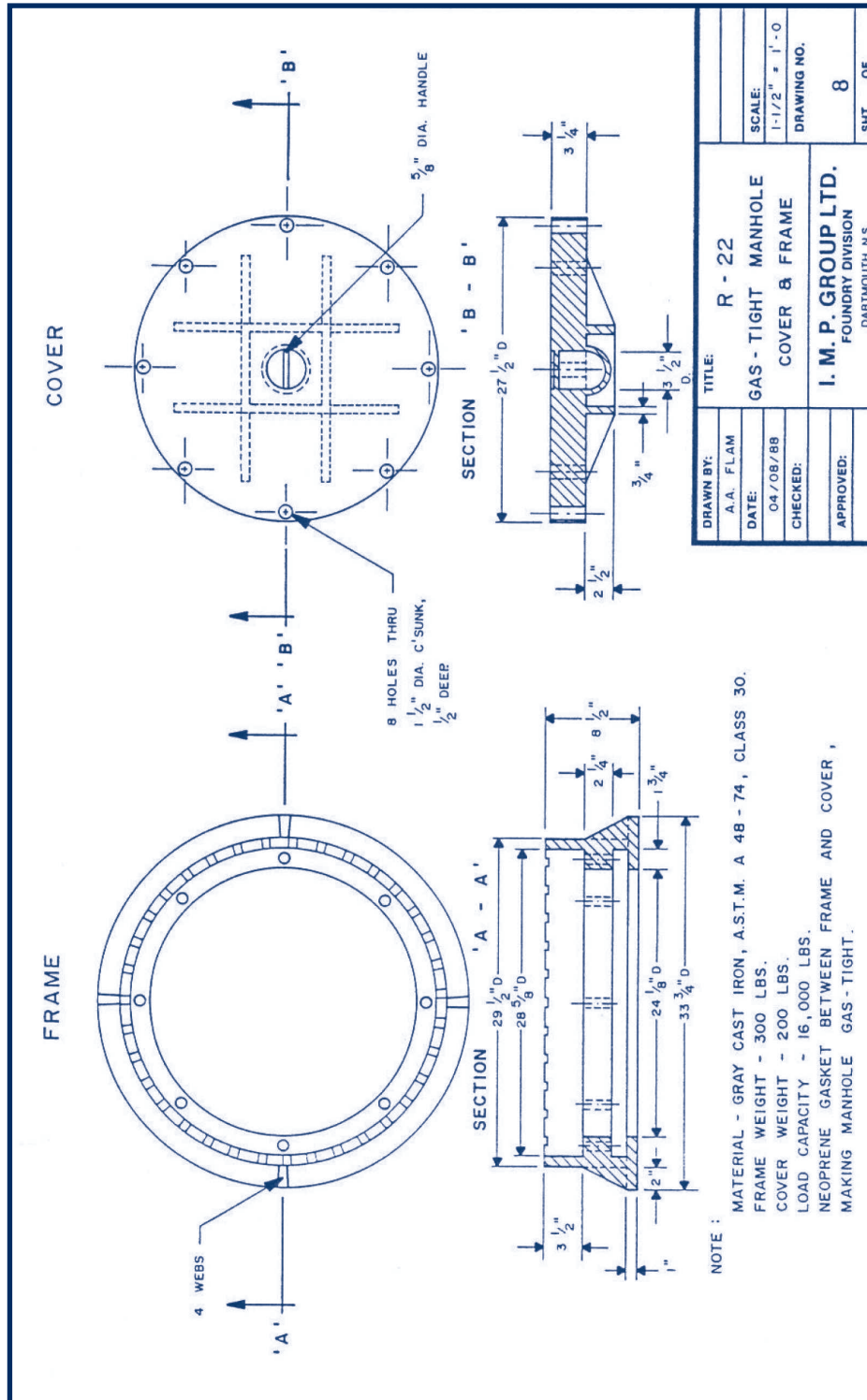




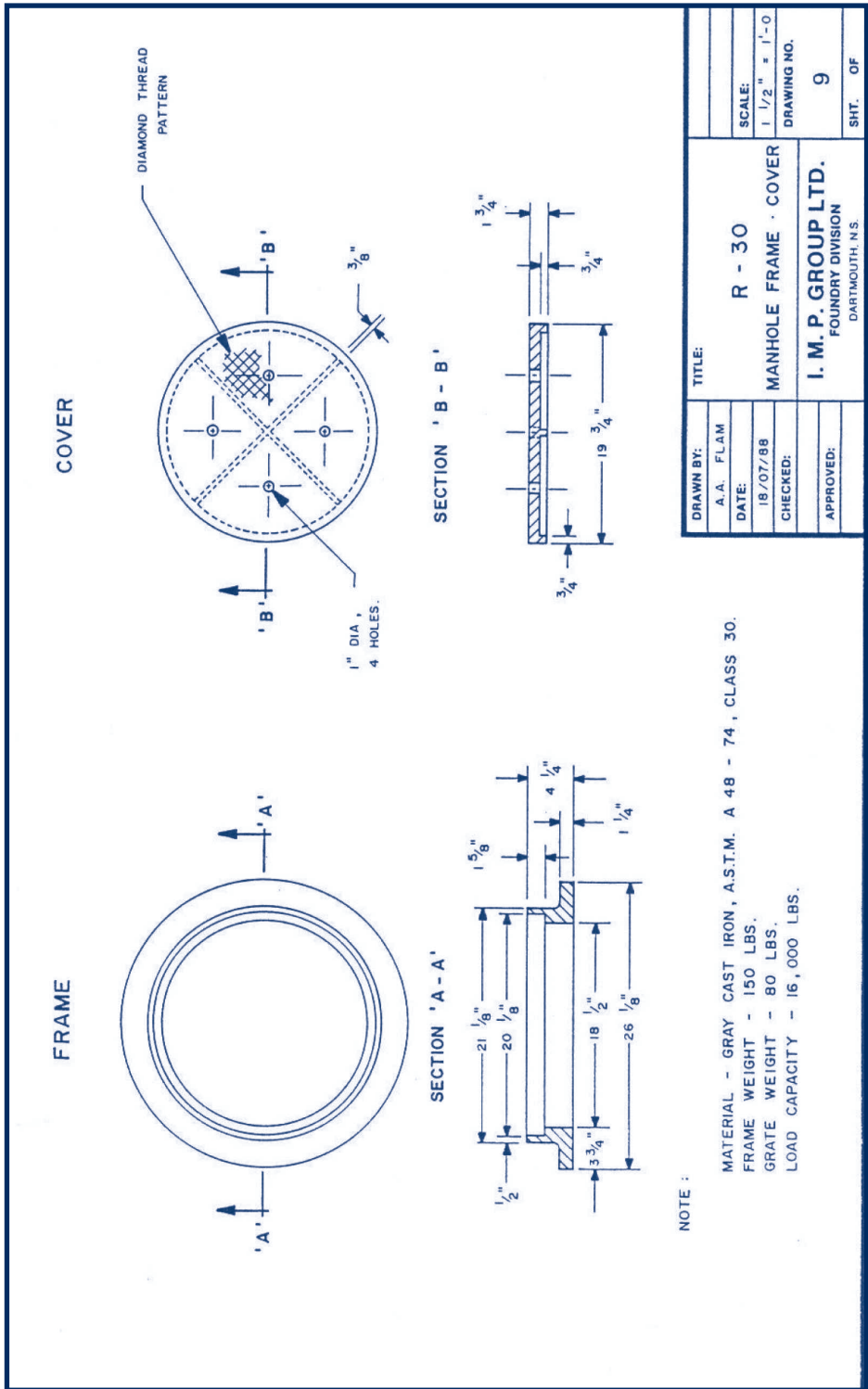
<b>DRAWN BY:</b> A.A. FLAM	<b>TITLE:</b> R - 10 & R - 60/70
<b>DATE:</b> 12 / 07 / 88	<b>SCALE:</b> 1 1/2" = 1'-0"
<b>CHECKED:</b>	<b>DRAWING NO.:</b> 5
<b>APPROVED:</b>	<b>SHT. OF</b> OF
<b>I. M. P. GROUP LTD.</b> FOUNDRY DIVISION DARTMOUTH, N.S.	

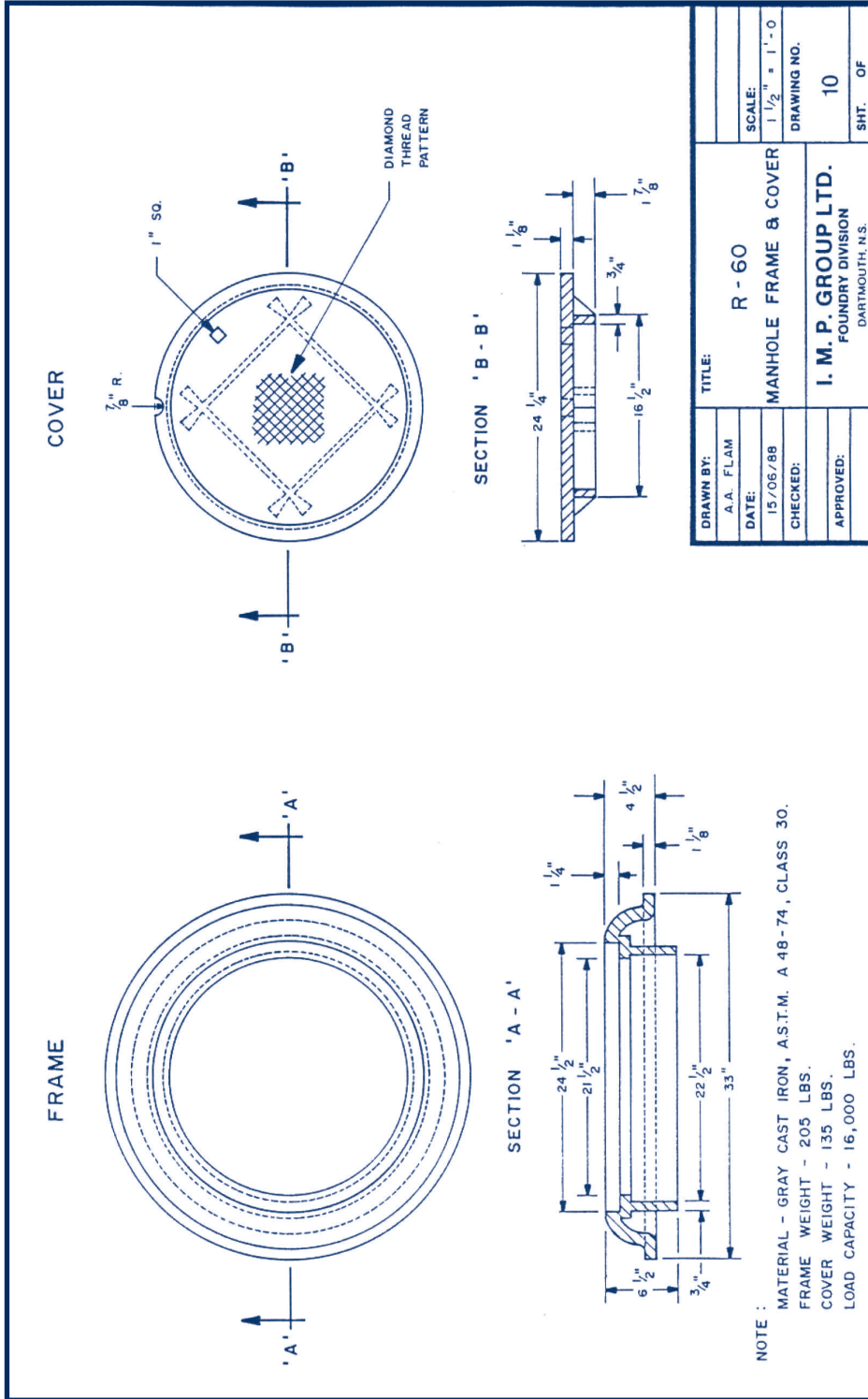


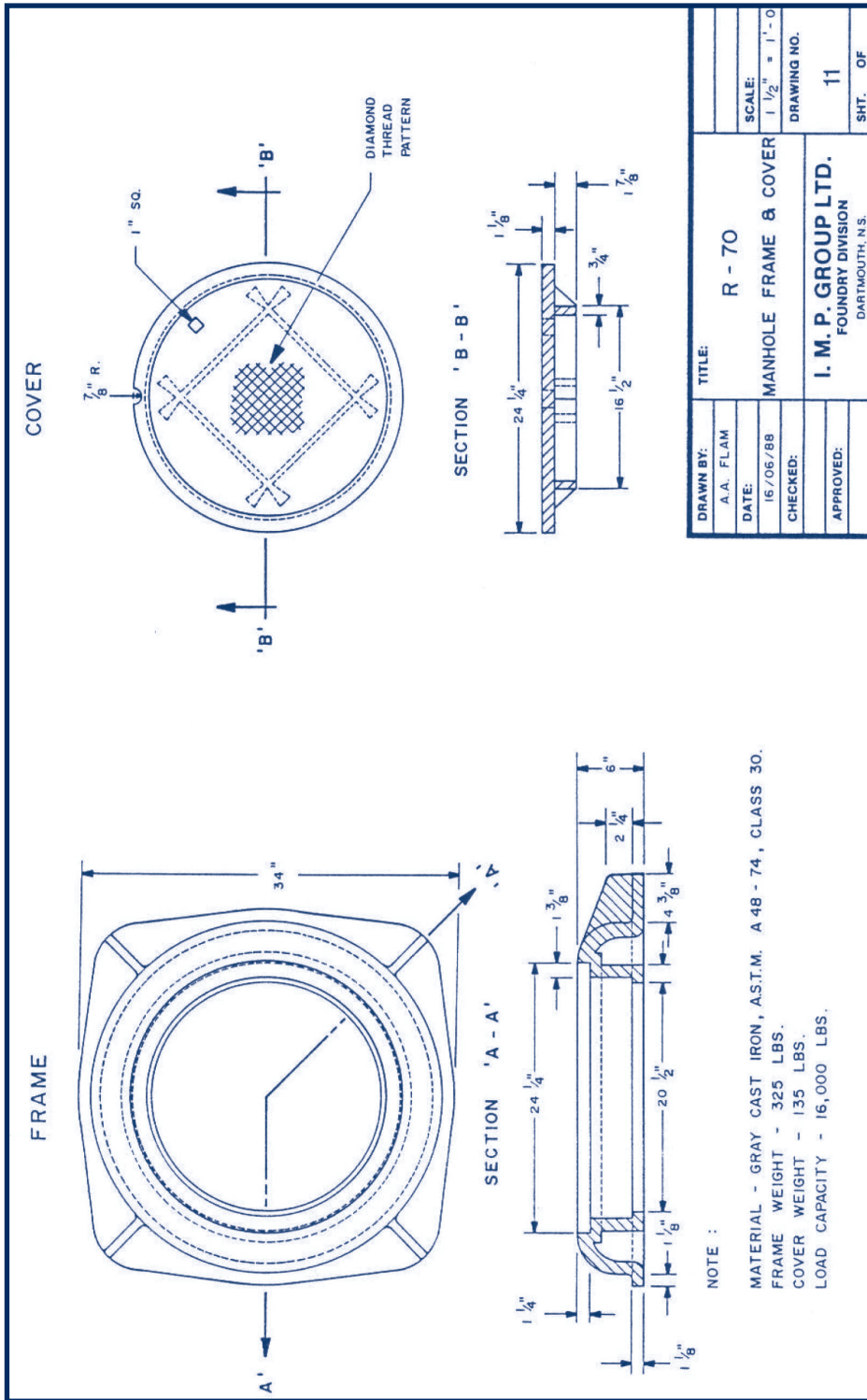


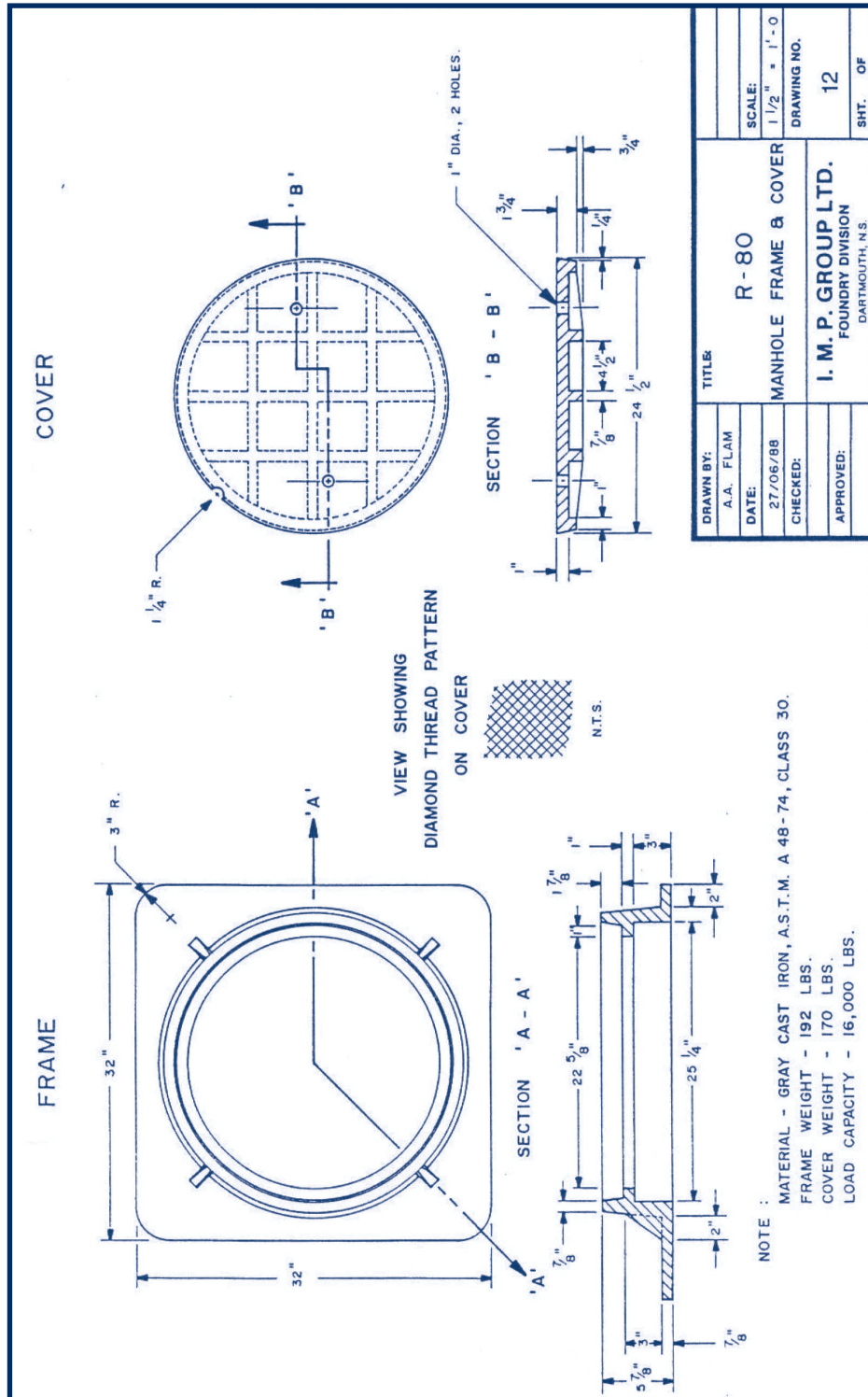


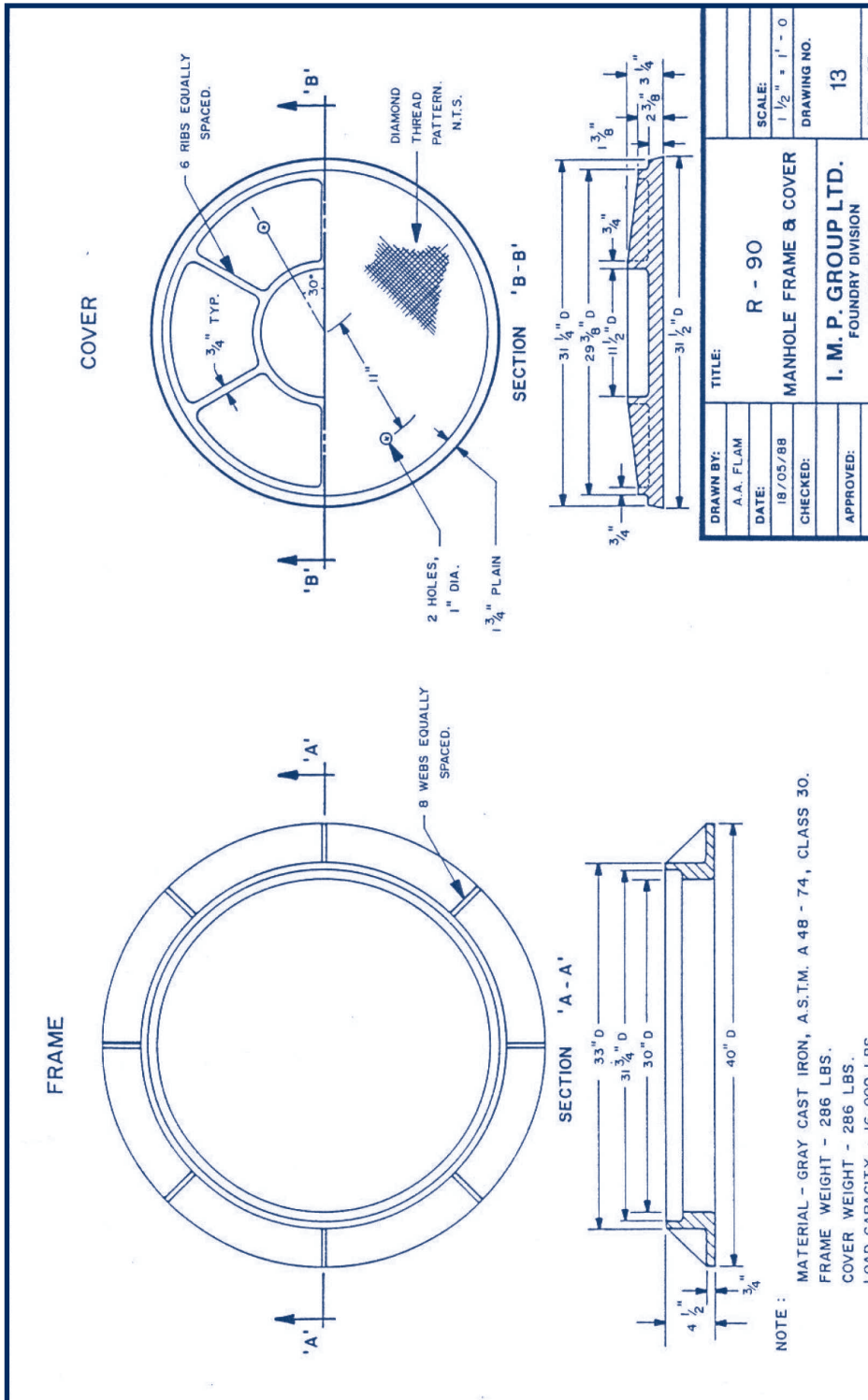


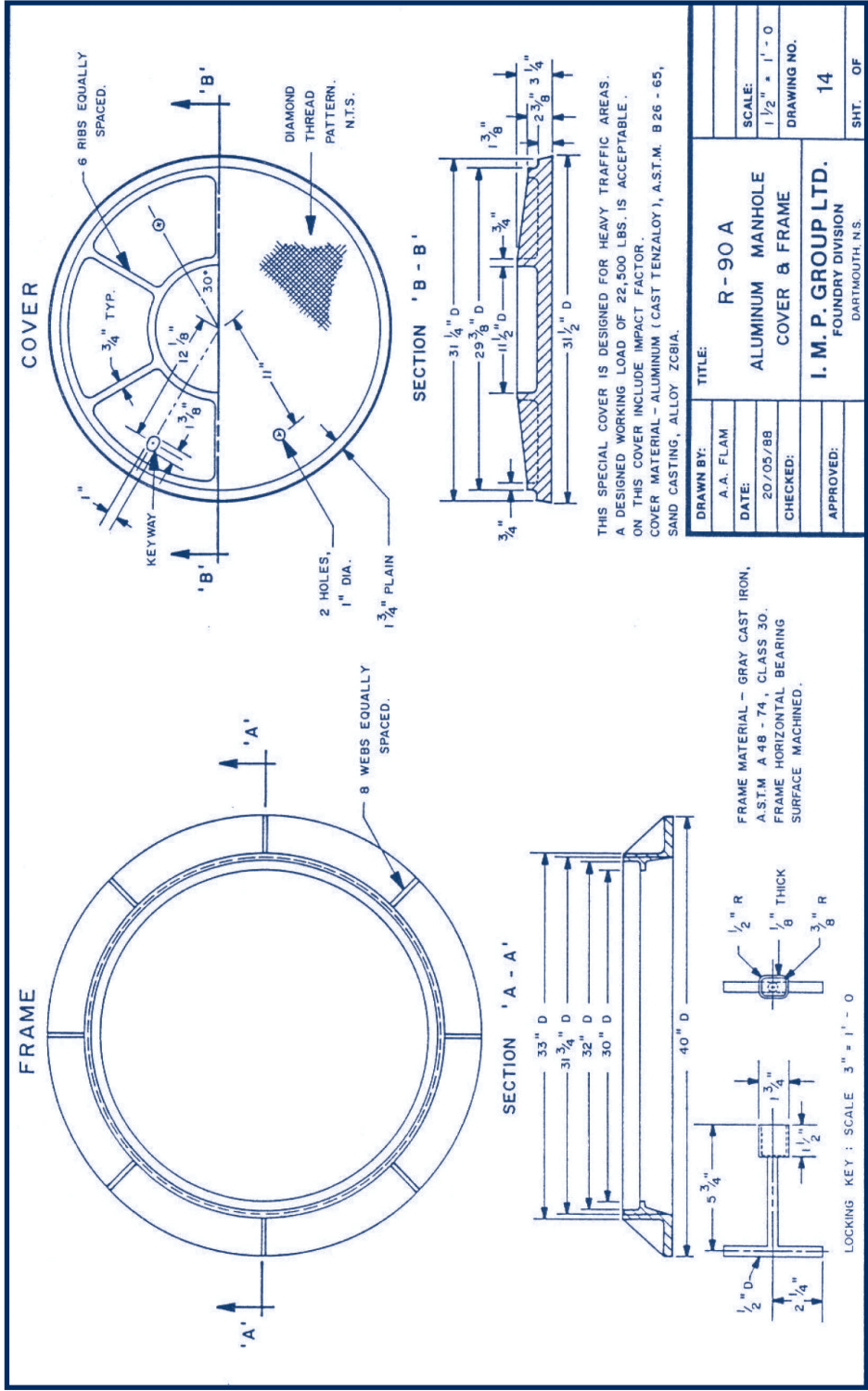




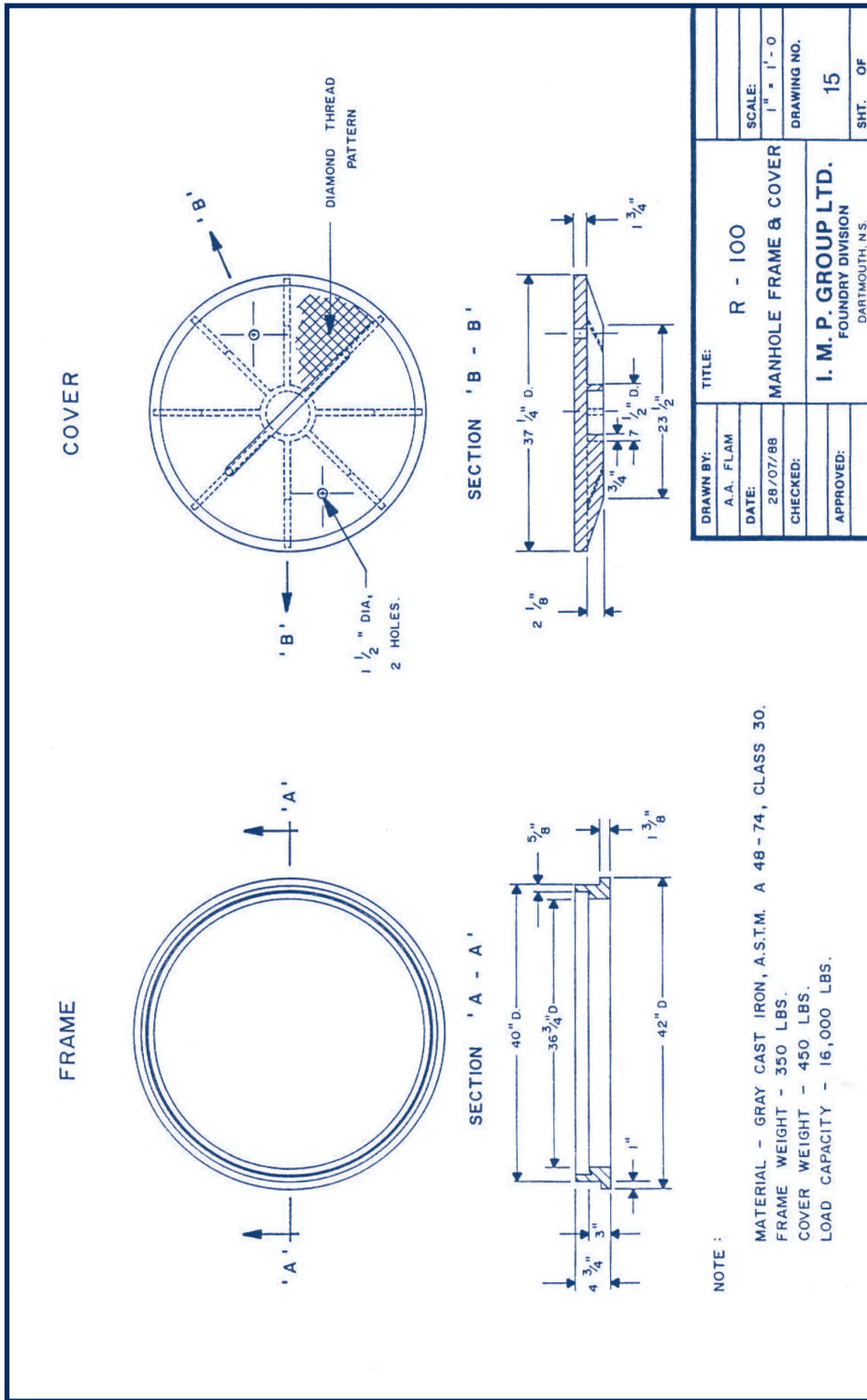


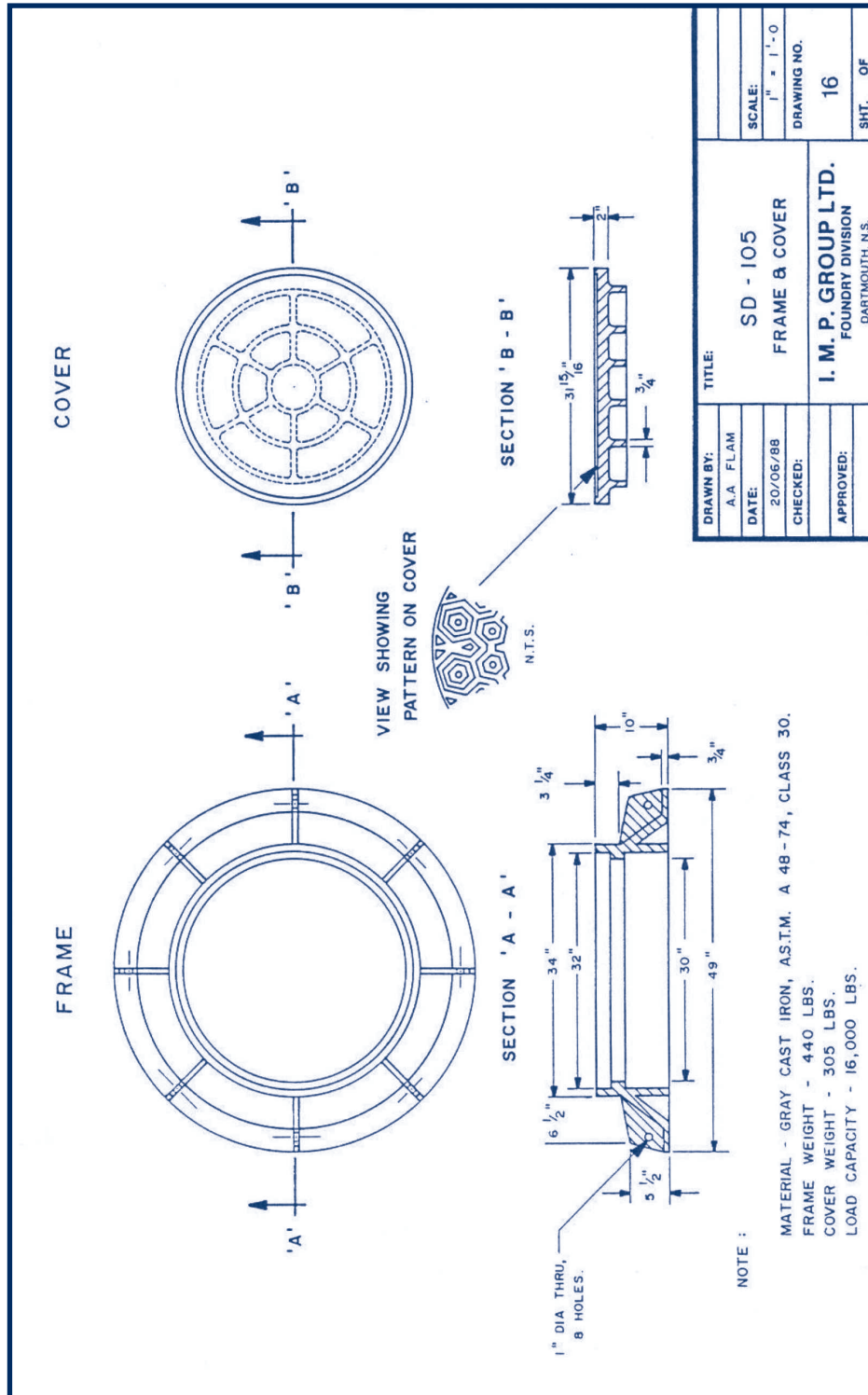




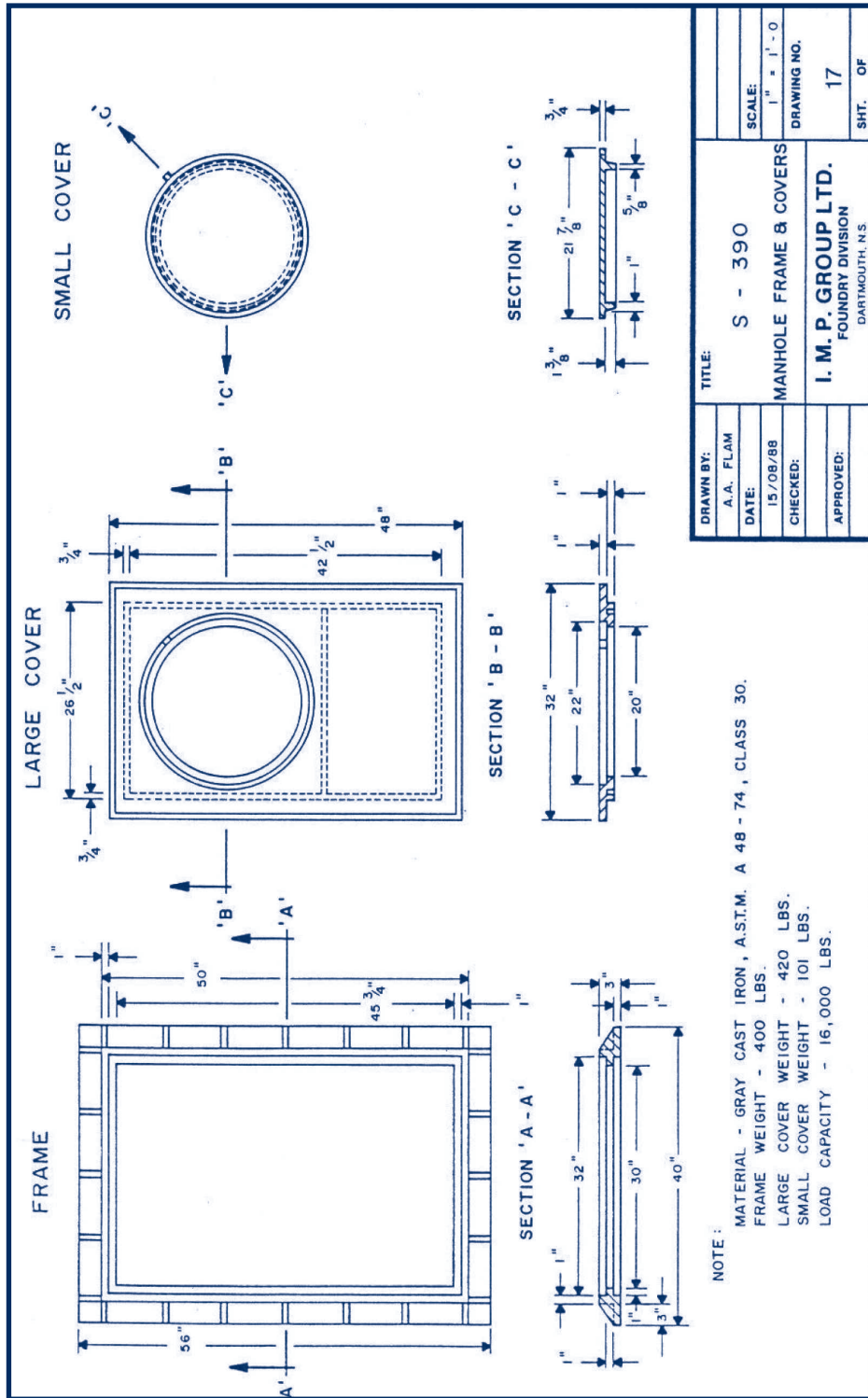


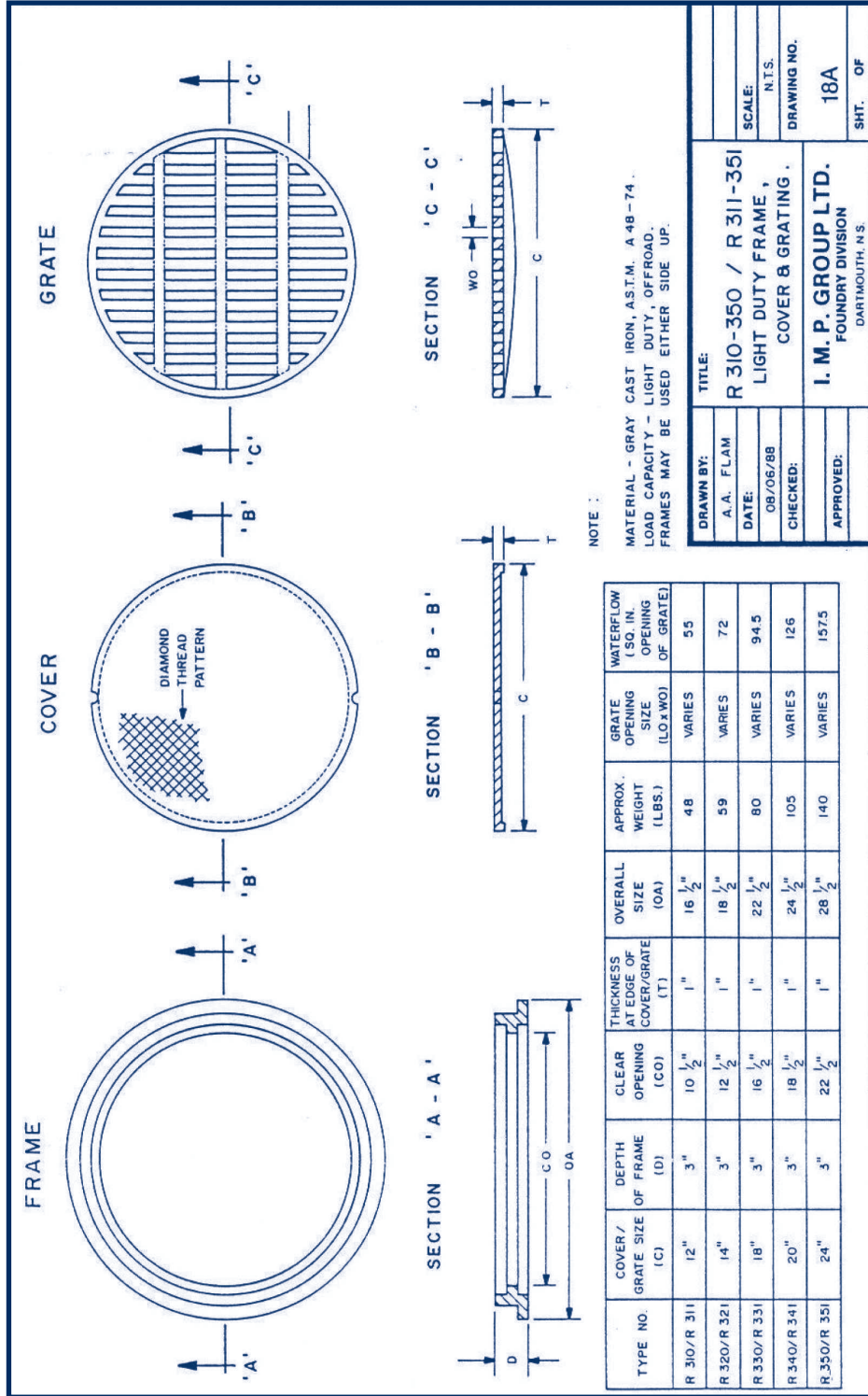
DRAWN BY: A. A. FLAM		TITLE: R - 90 A	
DATE: 20/05/88		ALUMINUM MANHOLE COVER & FRAME	
CHECKED:		I. M. P. GROUP LTD. FOUNDRY DIVISION DARTMOUTH, N.S.	
APPROVED:		SCALE: 1 1/2" = 1' - 0	
		DRAWING NO. 14	
		SHT. OF	



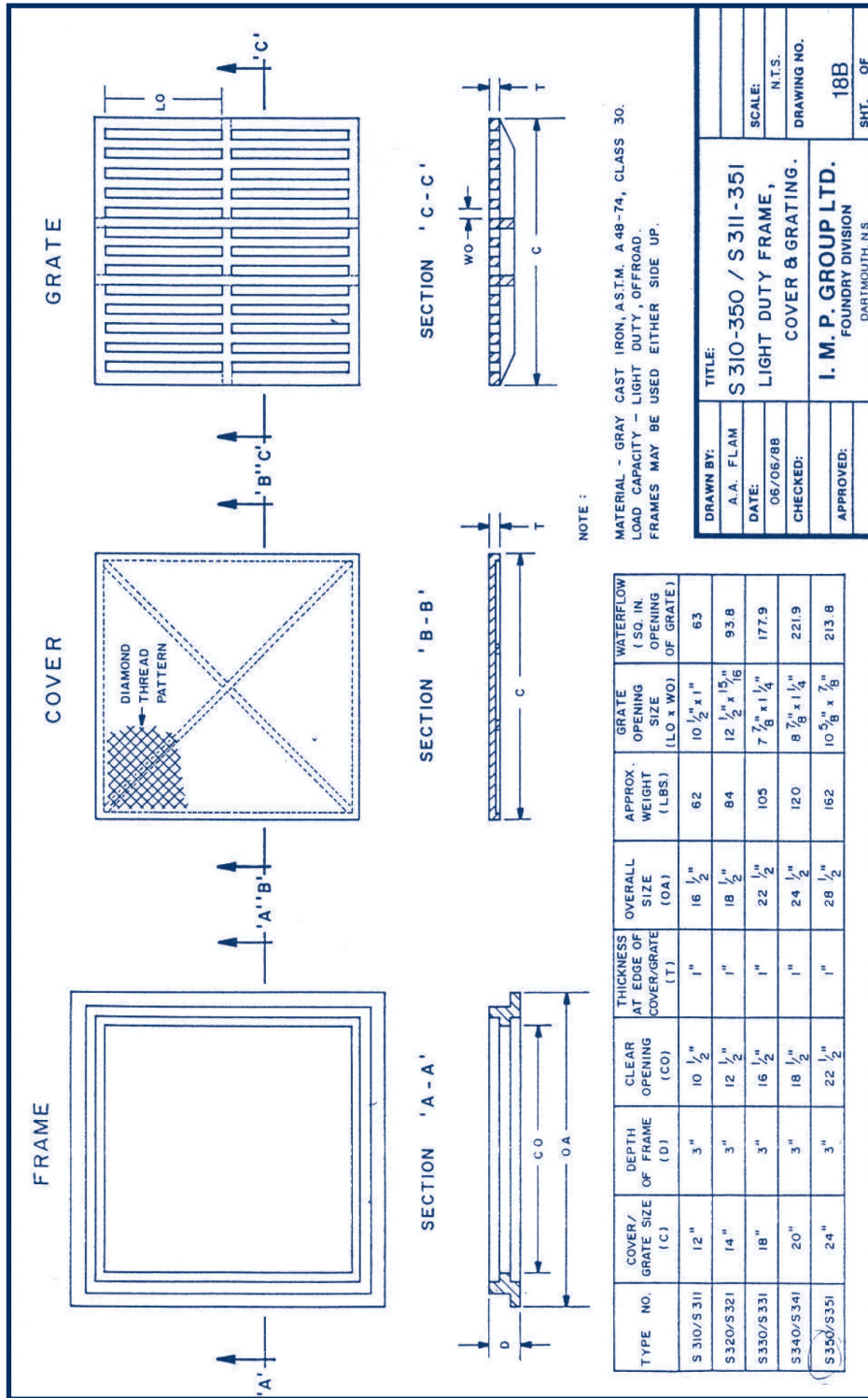




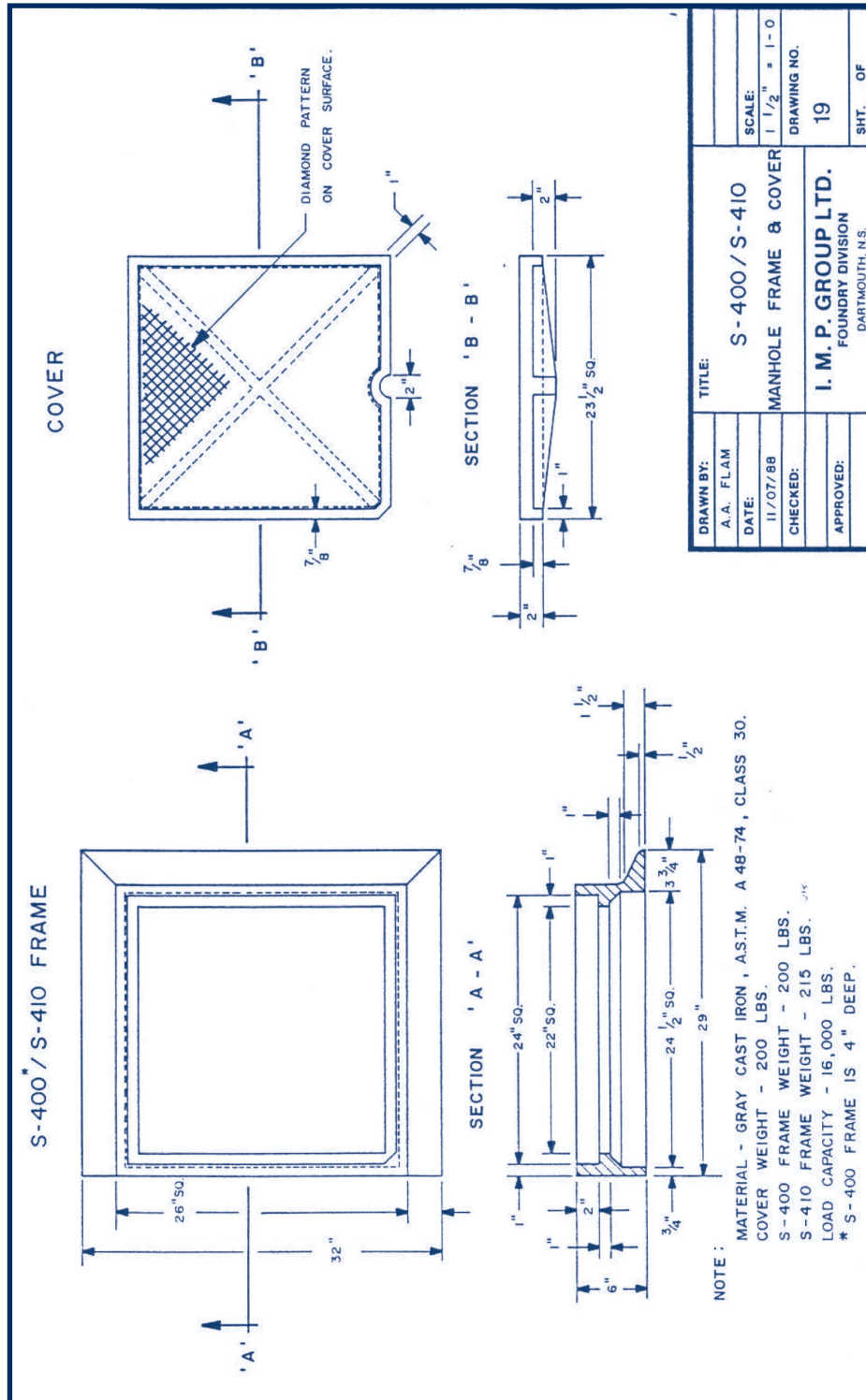


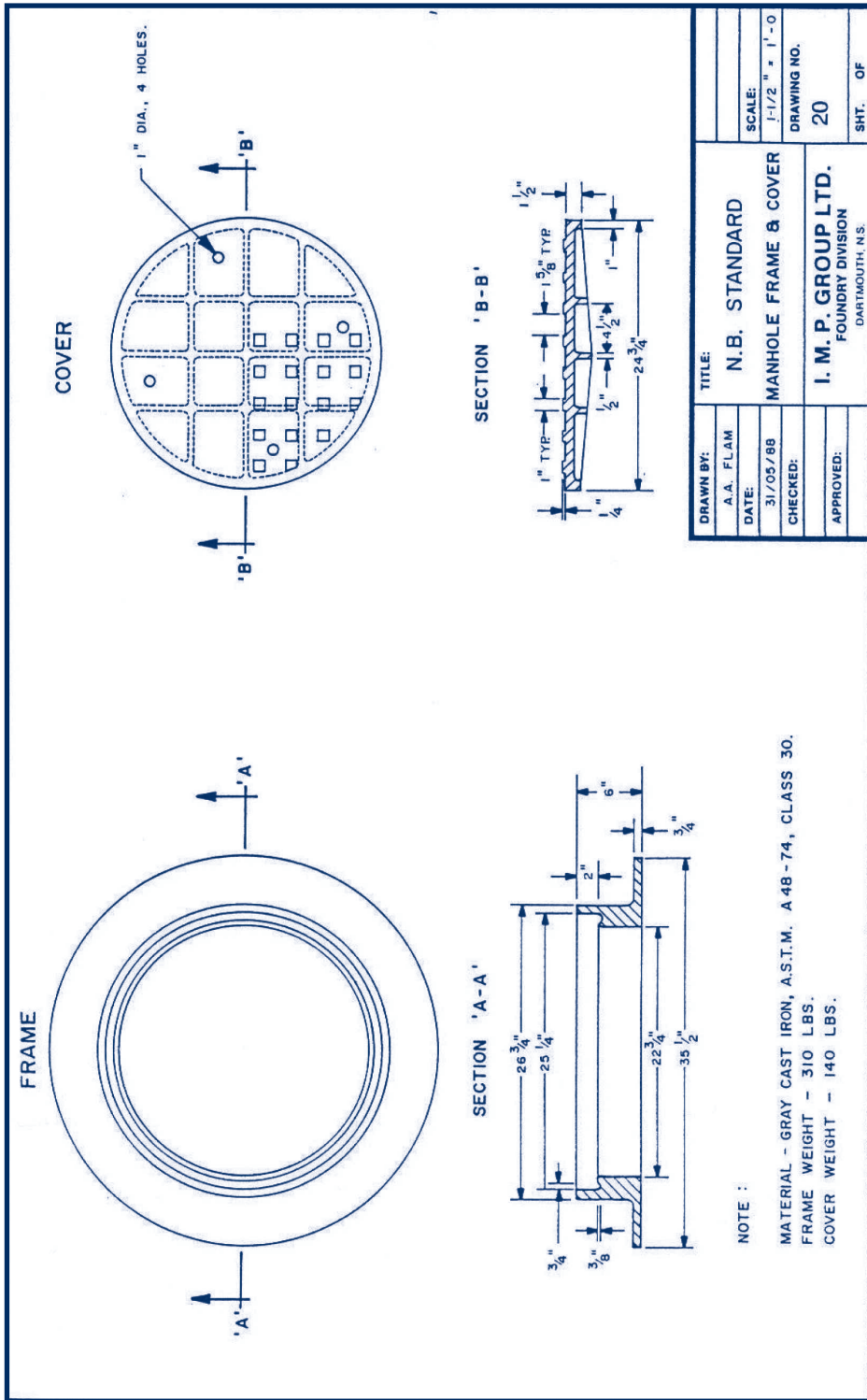


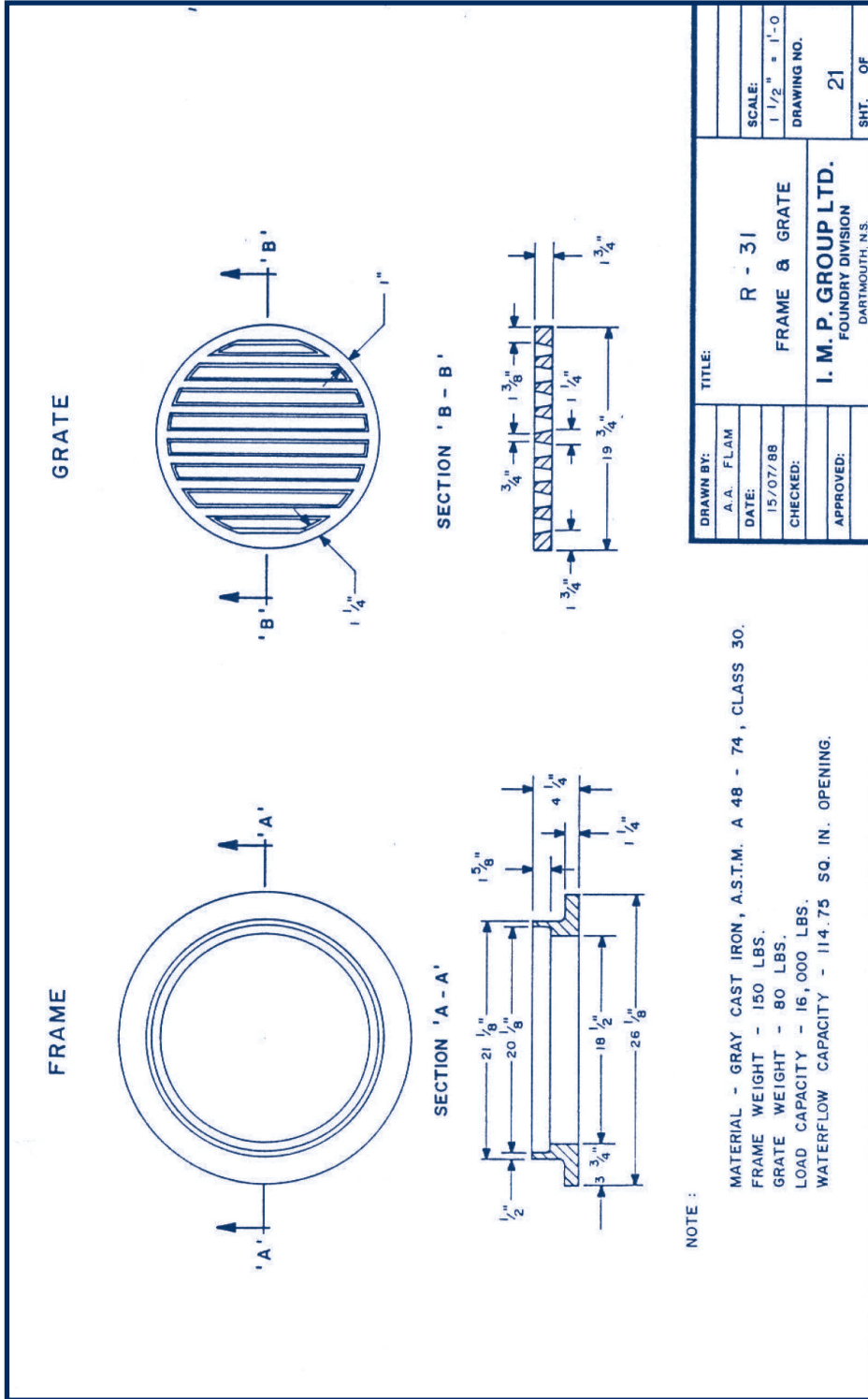
<b>DRAWN BY:</b>	<b>TITLE:</b>
A. A. FLAM	R 310-350 / R 311-351
<b>DATE:</b>	LIGHT DUTY FRAME ,
08/06/88	COVER & GRATING .
<b>CHECKED:</b>	<b>I. M. P. GROUP LTD.</b>
	FOUNDRY DIVISION
	DARTMOUTH, N.S.
<b>SCALE:</b>	<b>SHT. OF</b>
N.T.S.	18A
<b>DRAWING NO.</b>	



<b>DRAWN BY:</b>	<b>TITLE:</b>
A.A. FLAM	S 310-350 / S 311-351
<b>DATE:</b>	LIGHT DUTY FRAME, COVER & GRATING.
06/06/88	
<b>CHECKED:</b>	
	<b>I. M. P. GROUP LTD.</b>
<b>APPROVED:</b>	FOUNDRY DIVISION DARTMOUTH, N.S.
	<b>SCALE:</b>
	N.T.S.
	<b>DRAWING NO.</b>
	18B
	<b>SHT. OF</b>







DRAWN BY:		TITLE:	
A. A. FLAM		R - 31	
DATE:		FRAME & GRATE	
15/07/88		I. M. P. GROUP LTD.	
CHECKED:		FOUNDRY DIVISION	
APPROVED:		DARTMOUTH, N.S.	
SCALE:		DRAWING NO.	
1 1/2" = 1'-0"		21	
		SHT. OF	

NOTE :

MATERIAL - GRAY CAST IRON, A.S.T.M. A 48 - 74, CLASS 30.  
 FRAME WEIGHT - 150 LBS.  
 GRATE WEIGHT - 80 LBS.  
 LOAD CAPACITY - 16,000 LBS.  
 WATERFLOW CAPACITY - 114.75 SQ. IN. OPENING.

