

WINGWALLS

The T-WALL® Solution

The **cost effective** alternate to cast-in-place concrete.



T-WALL with existing stone culvert
Hamilton County, OH

T-WALL units are all concrete, precast, and steel reinforced. They provide a strong, durable system for all loads and service conditions.

- Fast and easy to install
- Locally manufactured
- Adapts to any site geometry
- Reduces or eliminates dewatering



T-WALL and CON/SPAN® for Airborne Express in Wilmington, OH



Maine DOT Bridge Rehabilitation
Waldoboro, ME



Broadway Street Bridge
Lake Orin, MI



Terraced T-WALL for Barrington Manor
Warrendale, PA

Need a wingwall?
Think **T-WALL!**

The T-WALL® Retaining Wall System is available from licensed producers throughout the U.S. and Canada.

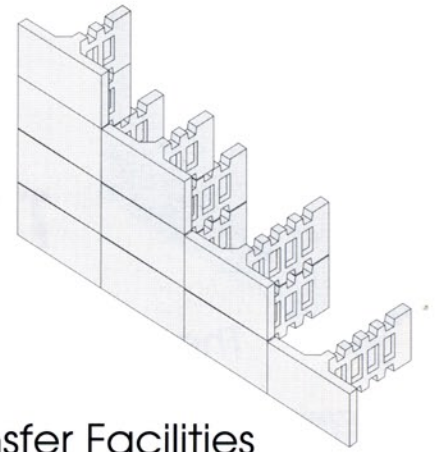


THE NEEL COMPANY
Engineered Precast Products

8328-D Traford Lane • Springfield, VA 22152
703-913-7858 • FAX 703-913-7859

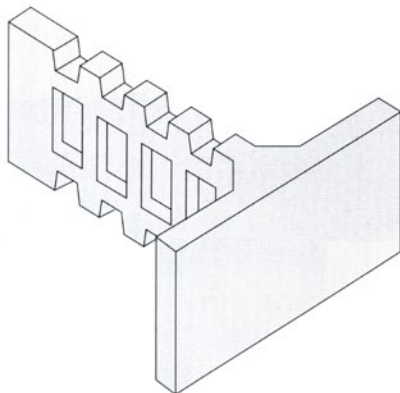
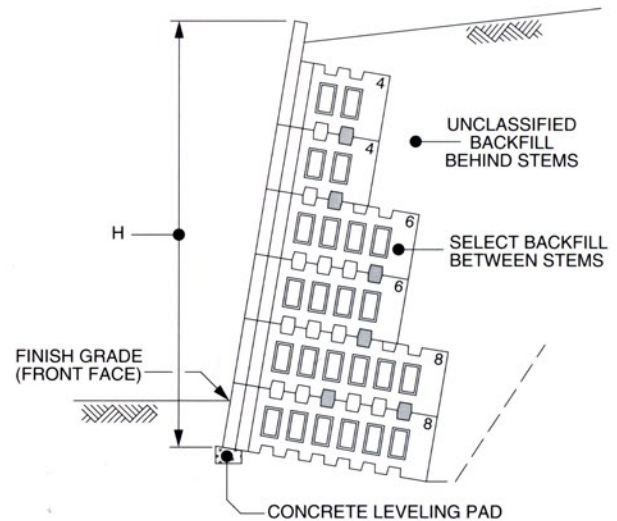
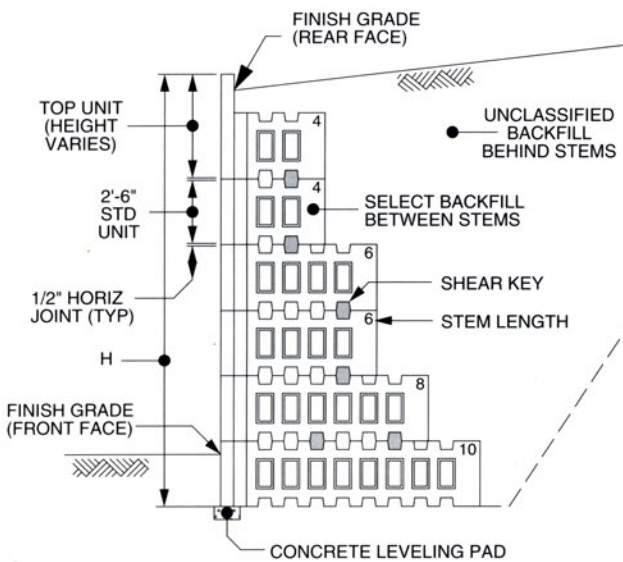
T-WALL®

the retaining wall system that's not just for walls...



- Highways and Parking Lots
- Site Improvements
- Bank Stabilization
- Truck Dumps
- Trash Transfer Facilities
- Wing Walls
- Railroads
- Waterway Improvements

TYPICAL T-WALL SECTIONS



STANDARD T-WALL UNIT

VERTICAL WALLS - LEVEL EMBANKMENT										
course	distance from top of wall (ft)	WALL HEIGHT (ft)								
		7.5	10.0	12.5	15.0	17.5	20.0	22.5	25.0	27.5
		STEM LENGTHS								
1	2.5	4	4	4	4	4	4	4	4	4
2	5.0	4	4	4	4	4	4	4	4	4
3	7.5	6	6	6	6	6	6	6	6	6
4	10.0		6	6	6	6	6	6	6	6
5	12.5			8	8	8	8	8	8	8
6	15.0				10	10	10	10	10	10
7	17.5					10	10	10	10	10
8	20.0						12	12	12	12
9	22.5							14	12	12
10	25.0								14	14
11	27.5									16